

MULTI MOUNT

for iPad 10.2-inch 7th Generation



ADA-friendly Room Scheduling Enclosure

Easily mount iPad to mullions and drywall to create beautiful room scheduling displays. Install vertically or at a 15-degree upward angle. Multi Mount features a hidden pocket to hide and store power and networking adapters (sold separately)—while maintaining a slim profile. Multi Mount features rigid, commercial grade construction, simple installation, and an attractive and durable powder coat finish.

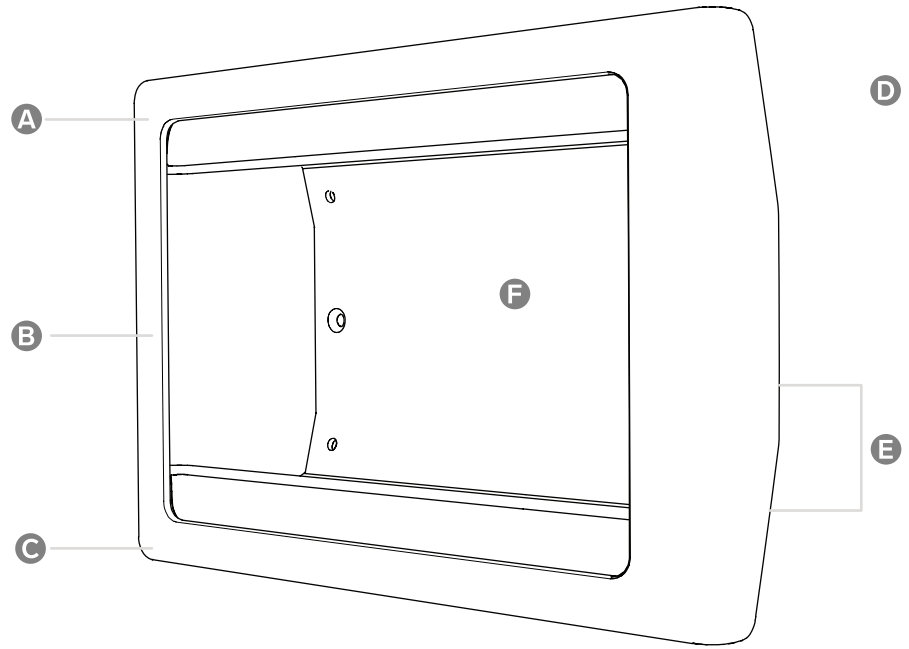
MULTI MOUNT

H605

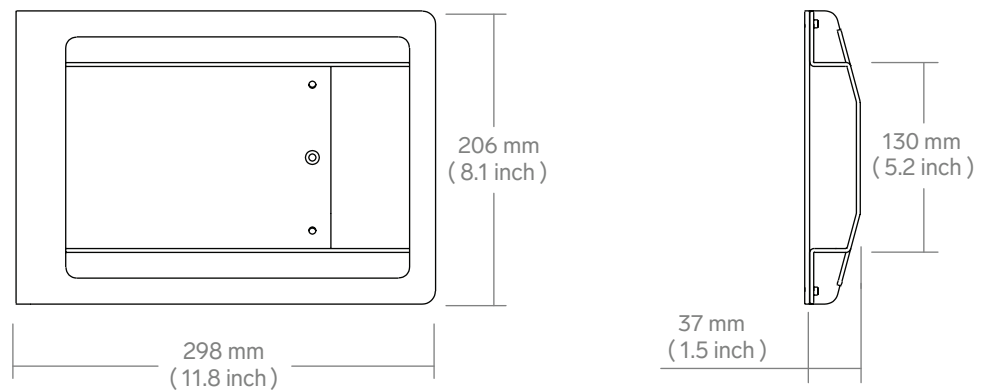
for iPad 10.2-inch 7th Generation

Features

- A Hidden assembly screws
- B Scratch & fingerprint-resistant powdercoat finish
- C Heavy steel construction
- D Symmetric design for mounting left & right of the door
- E Two angle mounting options to aid ADA compliance
- F Spacious pocket for wired networking/power adapters and power banks



Dimensions

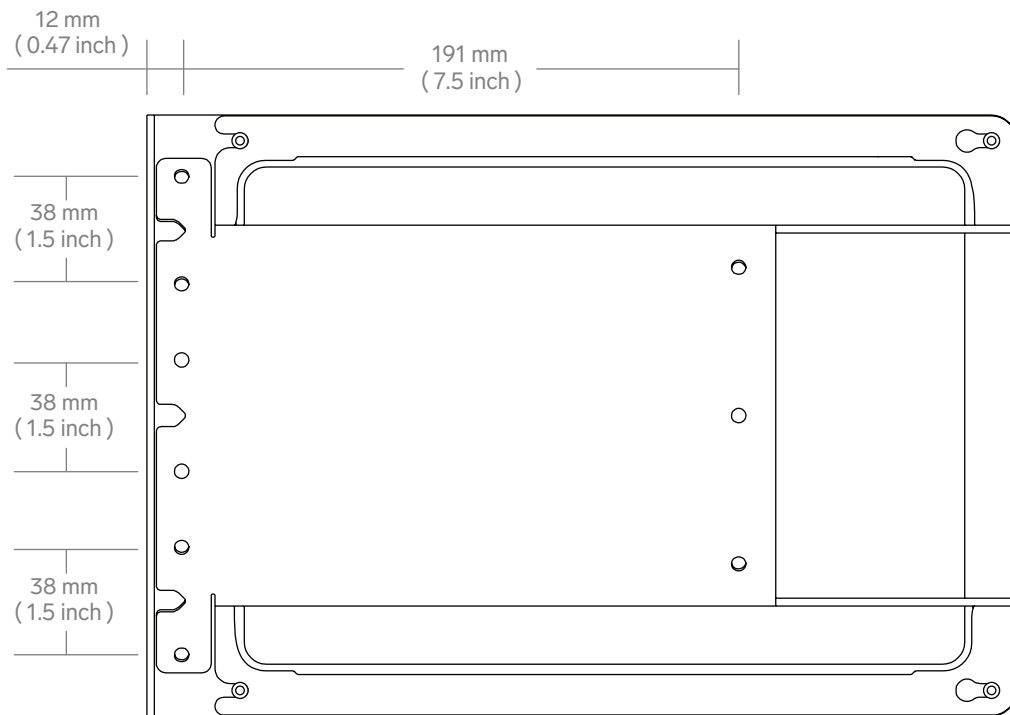


MULTI MOUNT

H605

for iPad 10.2-inch 7th Generation

Mounting Hole Pattern



MULTI MOUNT

H605

for iPad 10.2-inch 7th Generation

Specifications

SKU	H605
Height	8.1 inches
Width	11.8 inches
Depth	1.5 inches
Weight	3 lbs
Warranty	2 years

Colors

Name	SKU
Black Grey	H605-BG
Grey White	H605-GW

Compatible Devices

iPad 10.2-inch 7th Generation

In the Box

Multi Mount for iPad 10.2-inch
Self-tapping screws for mullion installation
Drywall mounting hardware
Assembly tool

Accessories

T283 - PoE Splitter with Lightning Cable
T267 - Redpark Gigabit + PoE Adapter for iPad