

# STAND

for Galaxy Tab A 10.1 (2019 Version)



## Secure Stand for Galaxy Tab A 10.1 (2019 Version)

With WindFall Stand Prime, we've made our patented WindFall Stand even better with enhanced security. This is the perfect, modern stand for your business.

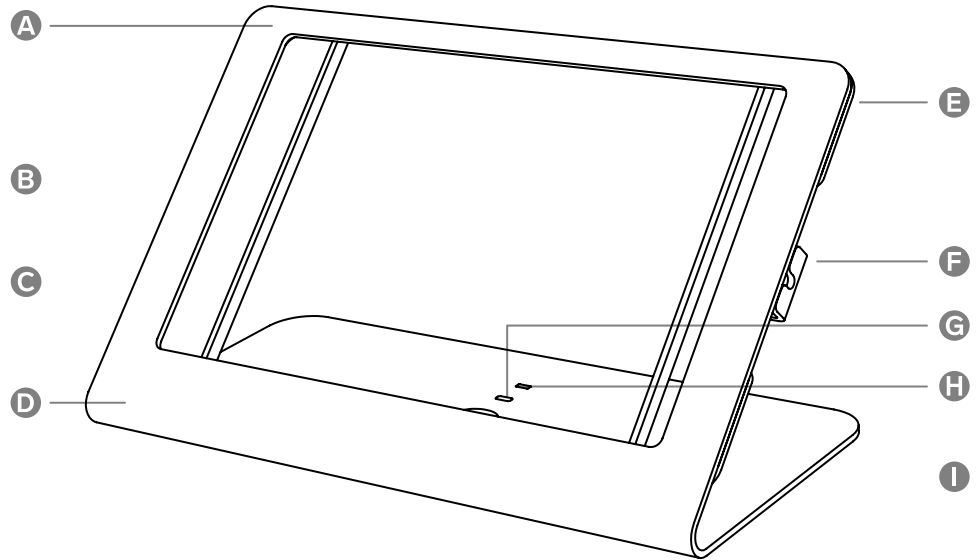
# STAND

H588

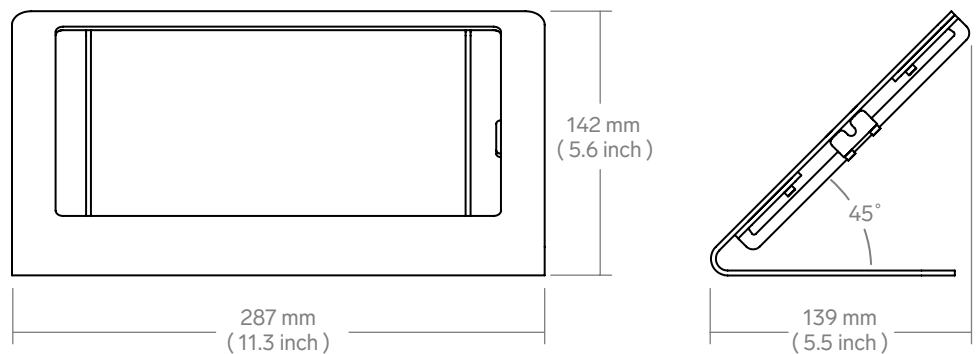
for Galaxy Tab A 10.1 (2019 Version)

## Features

- A** Hidden assembly screws
- B** Optionally installed tamper-resistant assembly screws included
- C** Integrated cable security & management
- D** Heavy steel construction
- E** Scratch & fingerprint-resistant powdercoat finish
- F** Kensington NanoSaver anchor slot
- G** Kensington ClickSafe anchor slot
- I** Compatible with Windfall Cash Drawer, PivotTable & PivotTack



## Dimensions



# STAND

H588

for Galaxy Tab A 10.1 (2019 Version)

---

## Specifications

<b>SKU</b>	H588
<b>Height</b>	11.3 inches
<b>Width</b>	5.5 inches
<b>Depth</b>	5.6 inches
<b>Weight</b>	2.5 lbs
<b>Viewing Angle</b>	45 degrees
<b>Warranty</b>	2 years

---

## Colors

<b>Name</b>	<b>SKU</b>
Black Grey	H588-BG

---

## Compatible Devices

Galaxy Tab A 10.1 (2019 Version)

---

## In the Box

WindFall Stand for Galaxy Tab A 10.1 (2019 Version)  
Tamper-resistant assembly screws  
Tamper-resistant assembly tool  
Friction feet  
Sliding feet

---

## Accessories

F560 - ClickSafe® 2.0 Cable Lock  
F714 - NanoSaver™ Keyed Cable Lock  
T222 - PivotTable  
T223 - PivotTack

---