

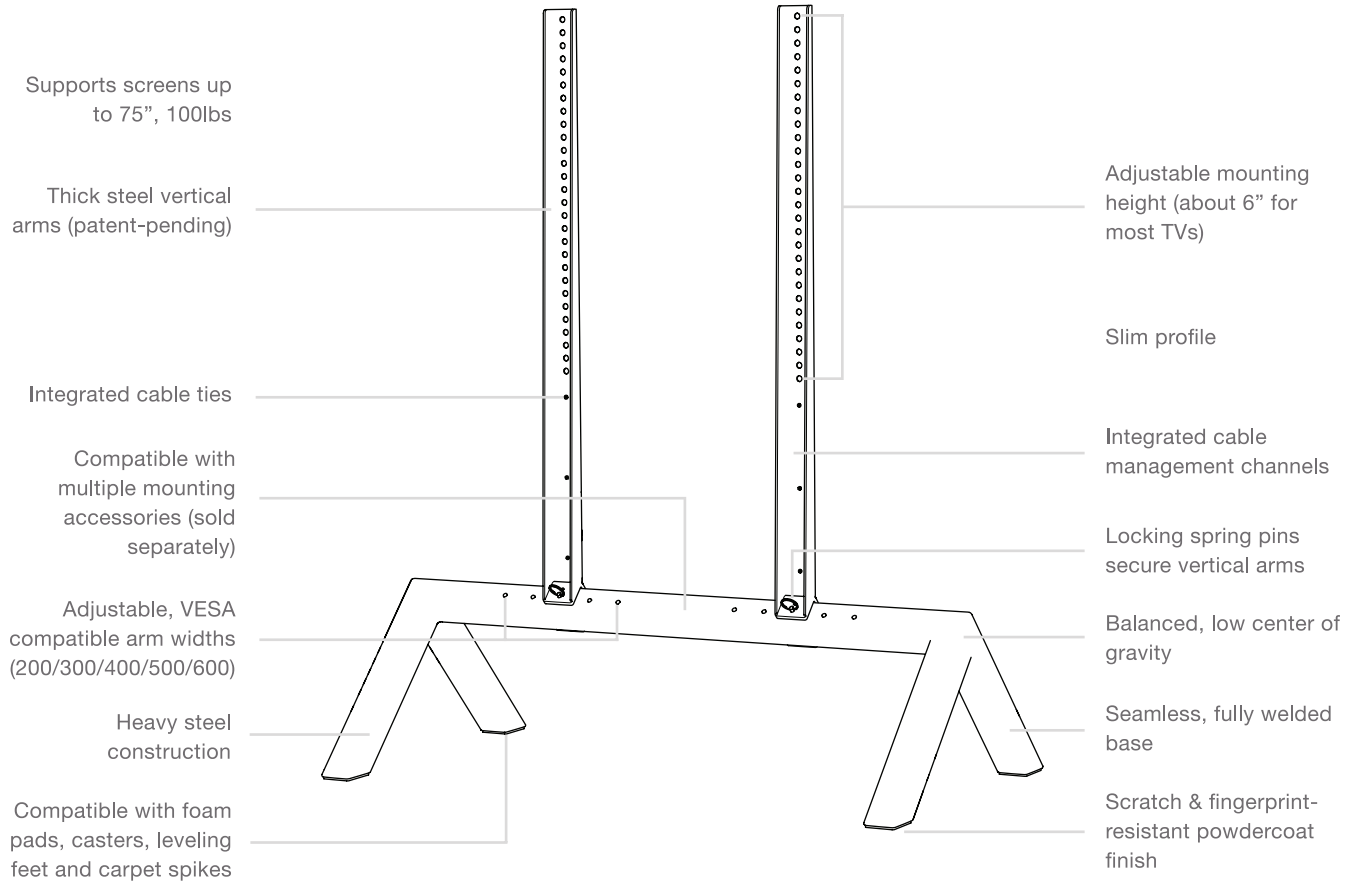
TV STAND



The Minimal, Mid-Room Media & TV Stand with Mount

Set your TV free with Heckler Modern TV Stand. With cable boxes disappearing, televisions slimming to oblivion, and wireless technology becoming standard, there's no need to hide our beautiful screens in bulky media centers or spend movie nights facing a wall. Heckler TV Stand with Mount frees your television in a modern way, allowing you to place your screen anywhere – beautifully.

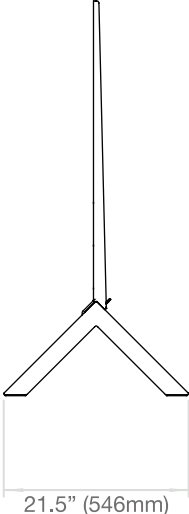
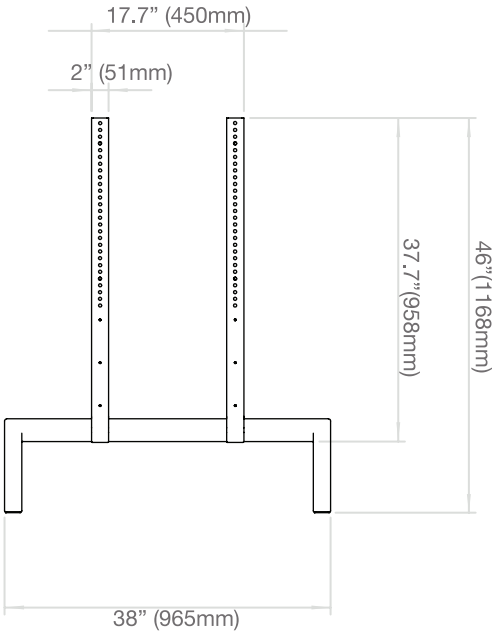
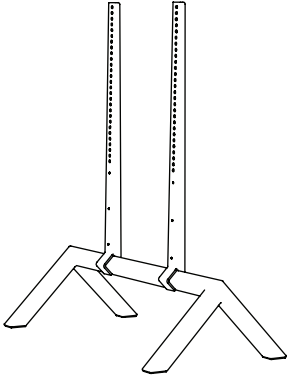
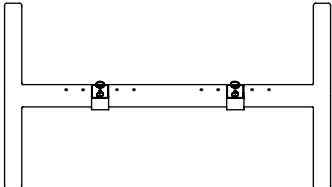
Features



TV STAND

H479

Dimensions



TV STAND

H479

Specifications

SKU	H479
Height	46 inches
Width	38 inches
Depth	21.5 inches
Weight	65.5 pounds
Warranty	2 years

Colors

Name	SKU	UPC
Black Grey	H479-BG	600978412142
Grey White	H479-GW	600978412975

Compatible Devices

TVs with VESA 400 or larger mounting pattern, up to 100 pounds

In the Box

Heckler TV Stand base
Heckler TV Stand vertical arms
M8 & M6 TV mounting hardware
Assembly hardware

Accessories

H490 - Dual Display Kit for Heckler AV Cart
H491 - Multi Shelf for Heckler AV Cart
H520 - Soundbar Kit for Heckler AV Cart & TV Stand