

WindFall®

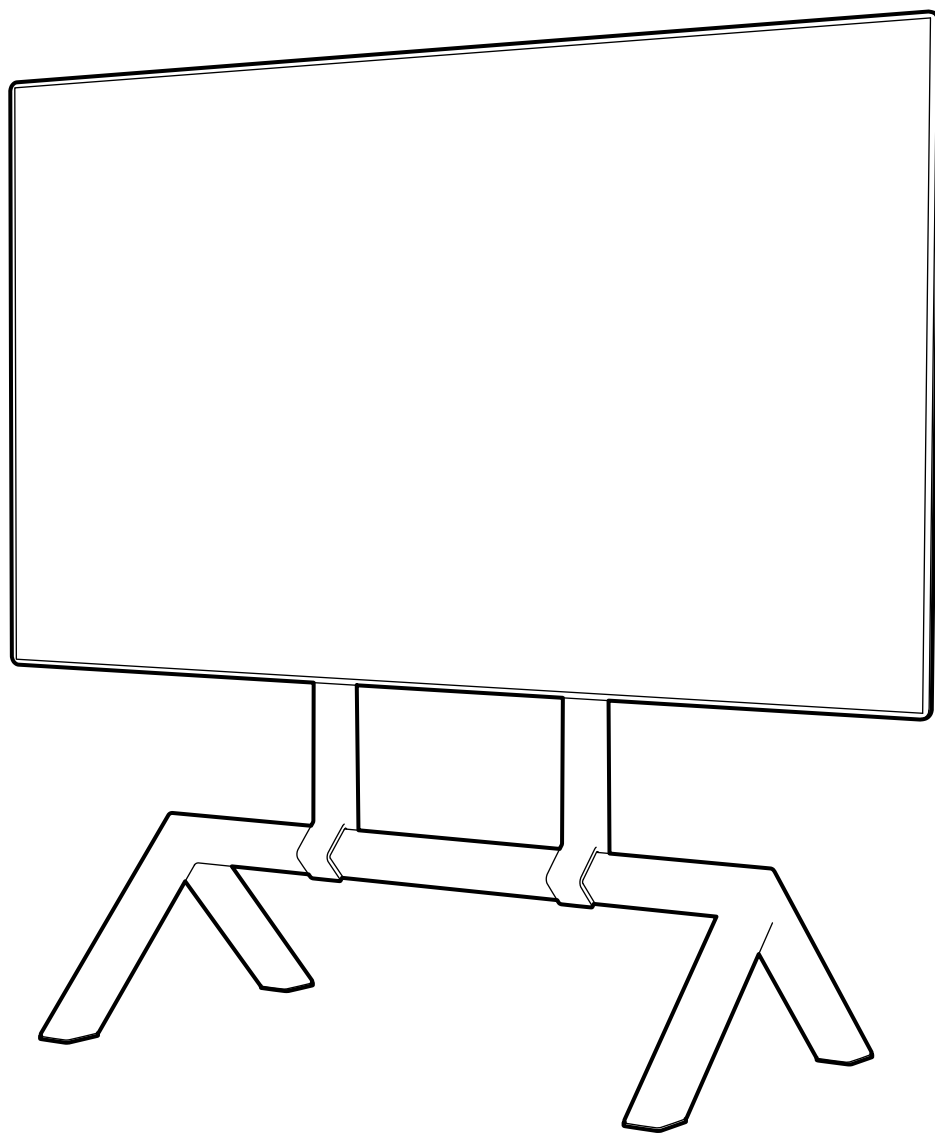
TV STAND

the Modern, Minimal, Mid-Room Media Center

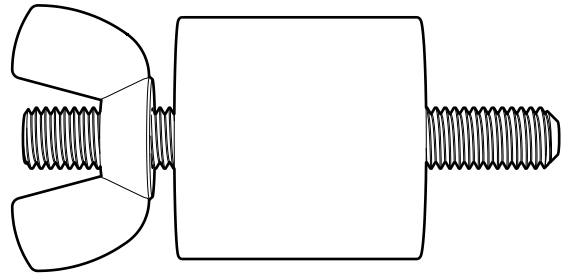
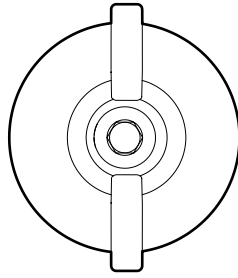
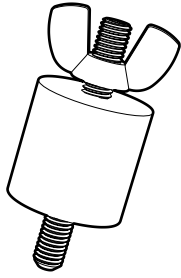


Hecklerdesign

Assembly & Installation

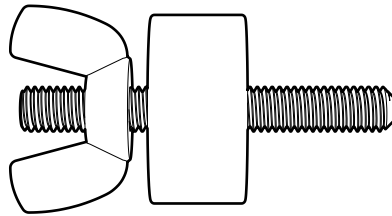
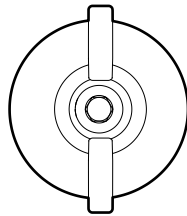
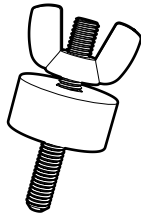


4x



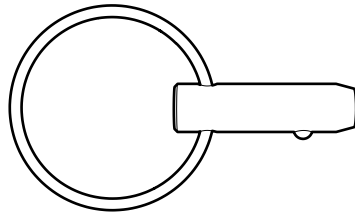
M8 TV Mounting Hardware
F521

4x



M6 TV Mounting Hardware
F551

2x



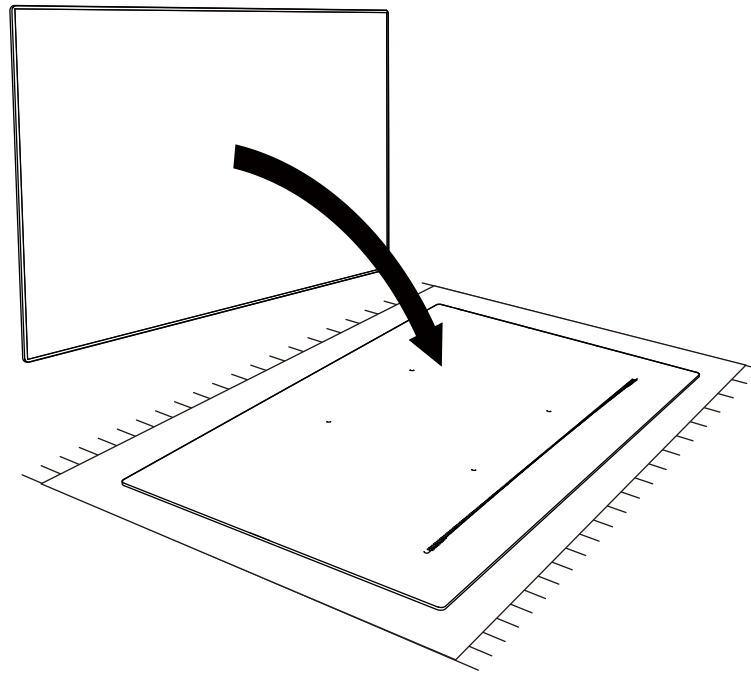
Safety Pin
F492

1x

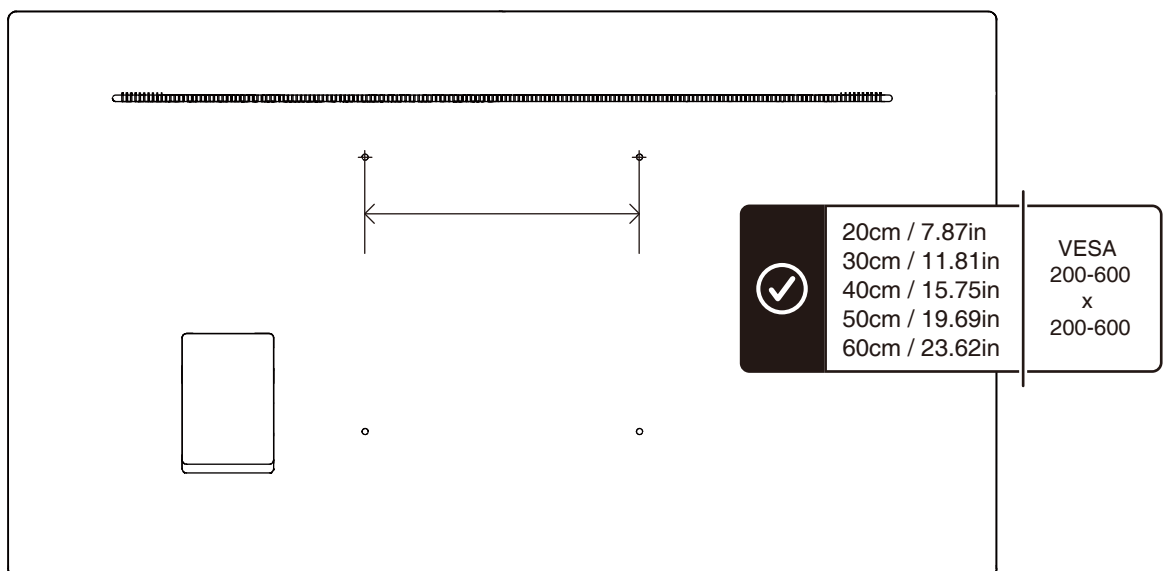


1/8" Hex Key
F180

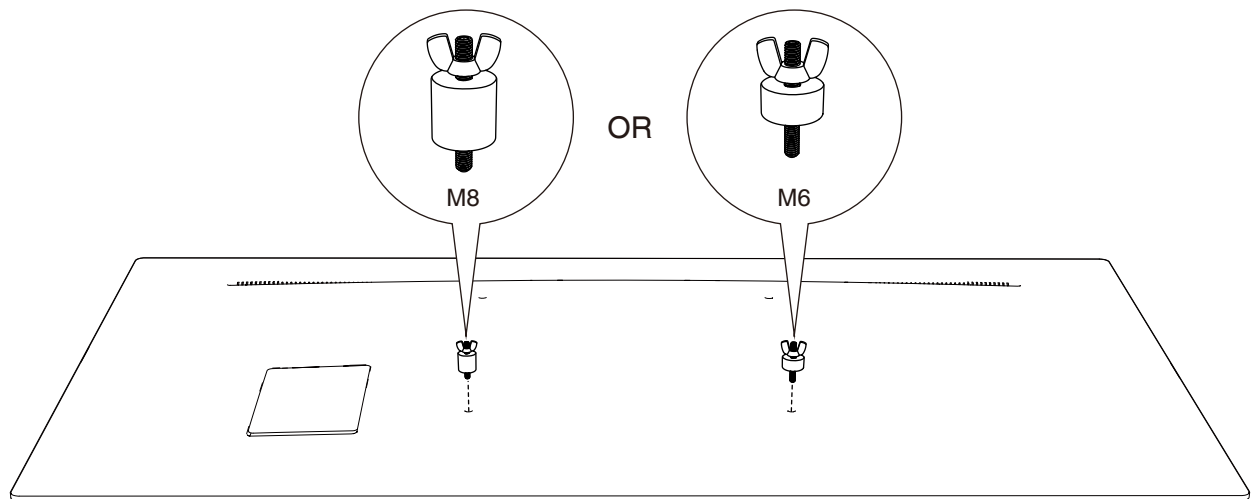
1 Carefully place TV face down on soft surface



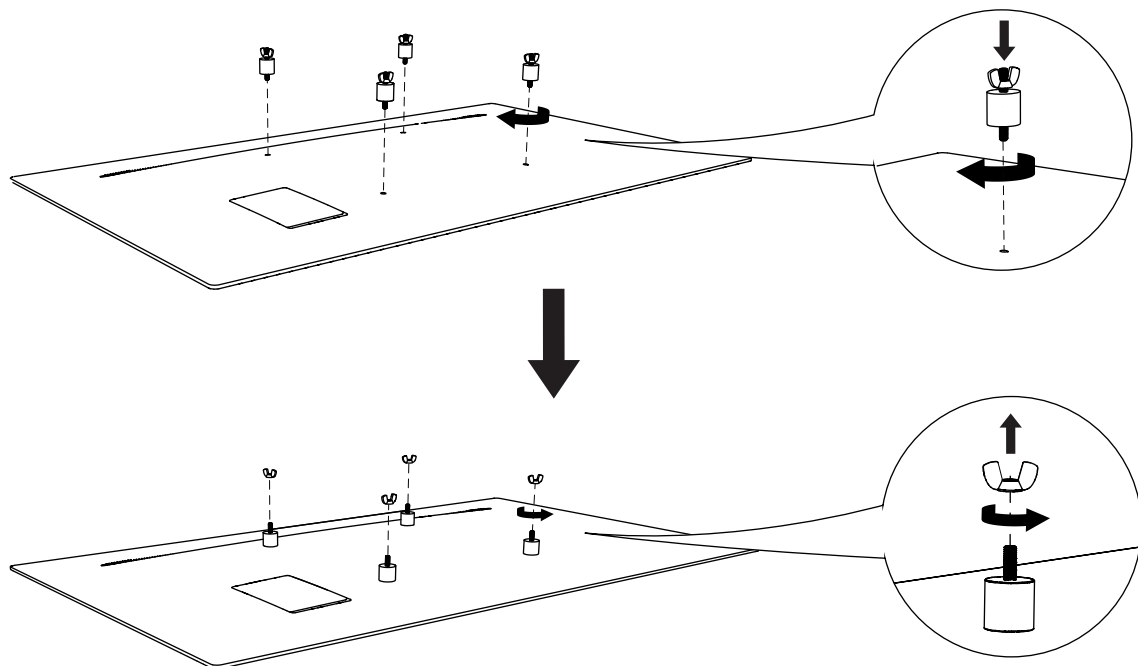
2 Identify your TV's VESA hole pattern



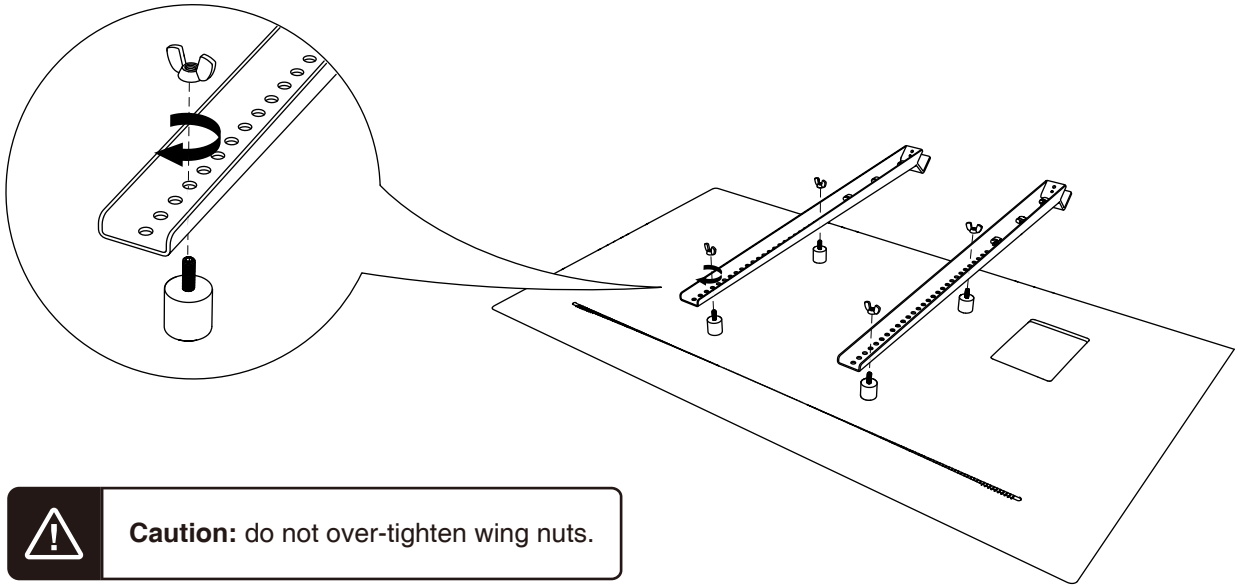
3 Select correct TV-mounting screws



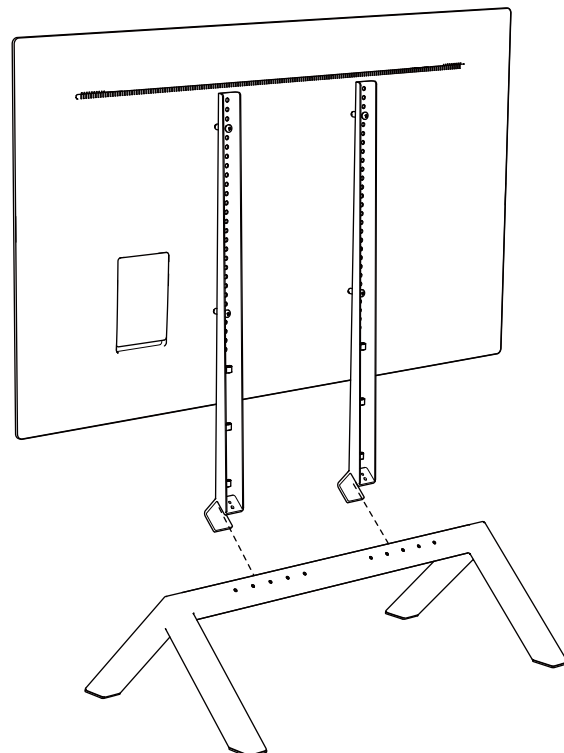
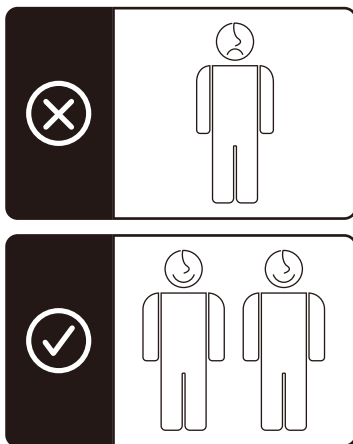
4 Install TV mounting hardware



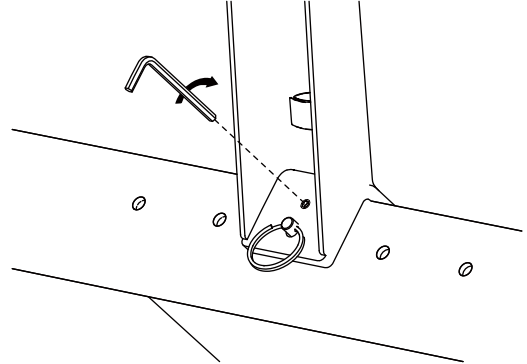
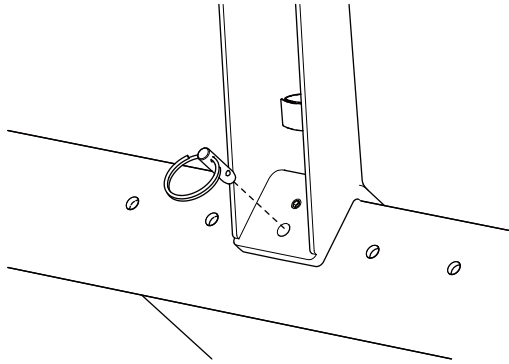
5 Install vertical rails to TV




6 Lower TV onto base



7 Insert safety pins and tighten set screws



 **Important:** Insert pins and tighten set screws fully to secure TV

8 Use cable straps to channel power cables

