

VESA MOUNT

for iPad 10.2-inch 7th Generation



Secure Point-of-Sale Enclosure for iPad 10.2-inch 7th Generation

Create a flexible checkout experience with VESA Mount for iPad 10.2-inch 7th Generation. Featuring all the classic features of our WindFall product line.

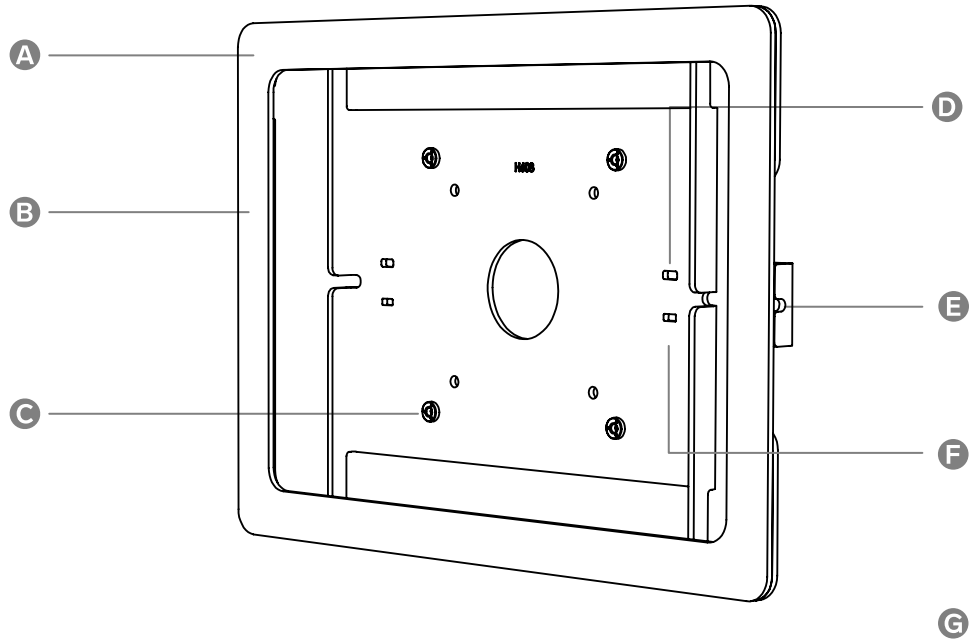
VESA MOUNT

H603

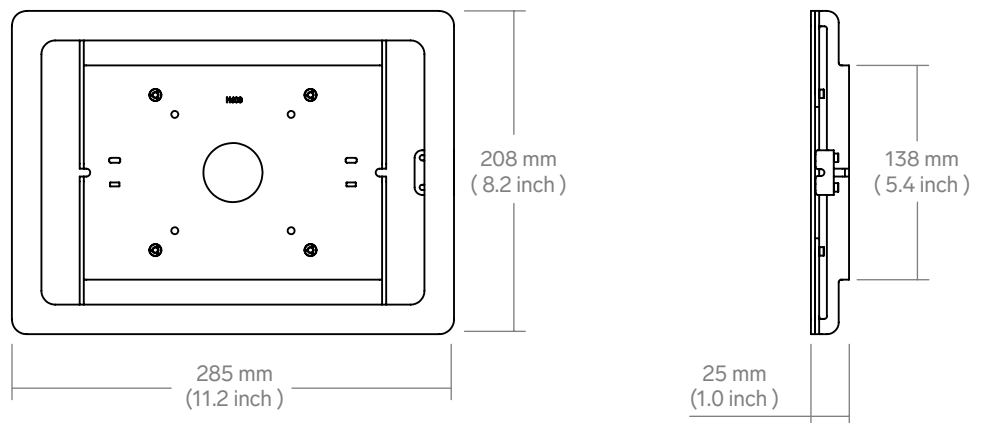
for iPad 10.2-inch 7th Generation

Features

- A Sturdy steel construction
- B Scratch & fingerprint-resistant powdercoat finish
- C VESA 100 threaded, VESA 75 hole patterns
- D Kensington ClickSafe anchor slot
- E Optionally installed cord securer
- F Kensington NanoSaver anchor Slots
- G Compatible with Windfall Kiosk Stand



Dimensions



VESA MOUNT

H603

for iPad 10.2-inch 7th Generation

Specifications

SKU	H603
Height	8.2 inches
Width	11.2 inches
Depth	1.0 inches
Weight	3 lbs
Warranty	2 years

Colors

Name	SKU
Black Grey	H603-BG

Compatible Devices

iPad 10.2-inch 7th Generation

In the Box

VESA Mount for iPad 10.2-inch
VESA-mounting screws
Tamper-resistant screws
Assembly tools

Accessories

F560 - Kensington ClickSafe® Cable Lock
F714 - NanoSaver™ Keyed Cable Lock
H293 - Kiosk Floor Stand
