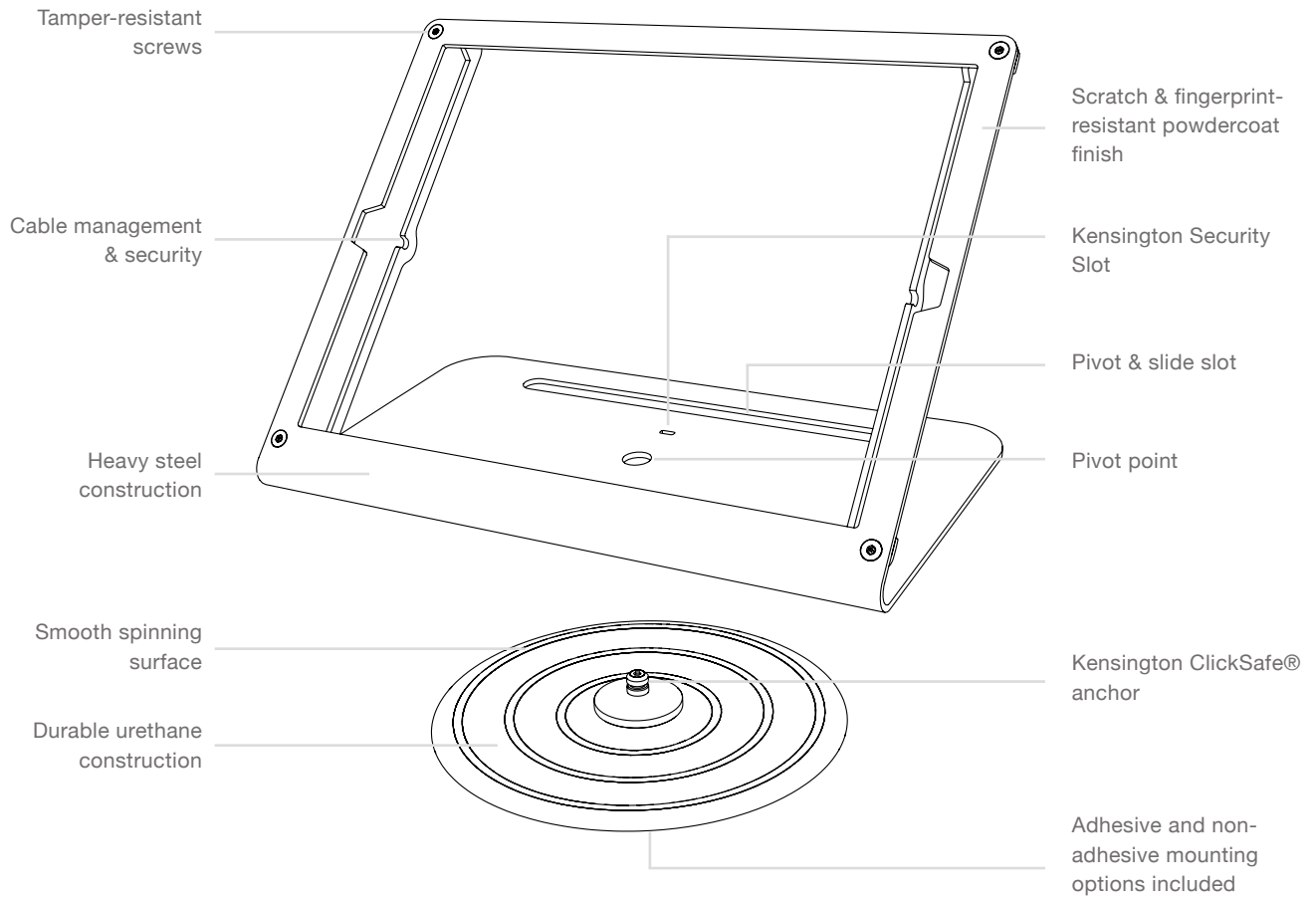


WindFall® STAND

Secure Stand for Surface Pro 3 & 4

Use Microsoft's powerful flagship tablet securely in your business with WindFall Stand for Surface Pro 3 or 4. Sturdy steel construction, tamper-resistant assembly, and multiple mounting options make sure that your Surface Pro 3 or 4 is safe and secure.





Specifications

SKU H403

Height	7 inches
Width	11.5 inches
Depth	6.5 inches
Weight	3 pounds
Angle	45 degrees

What's Included

- WindFall Stand
- PivotTable for WindFall
- Assembly tool
- Four friction feet
- Four sliding feet
- Four screw caps

Available Colors Additional and custom colors available upon request. Minimum order and additional charges will apply.

H403-BG
Black Grey
RAL 7021

H403-BR
Bright Red
RAL 3020

H403-GW
Grey White
RAL 9002