



Trak Mobile TV Stand

Multi Purpose Mobile TV Stand

Affordable, height-adjustable mobile tv stand for maximum productivity and comfort. With a wide and durable base construction, the T2 provides you with the maximum stability and extended use. Great for offices, conference rooms, tradeshow, hotels, hospitals, airports, and lobbies.

Model : Trak T2

★ **Stable Foundation**

★ **Effortless Mobility**

★ **High Quality Steel**

Product Benefits

Stable Foundation

This mobile tv stand lets you move your flat-screen tv around your office, conference rooms, tradeshow, hotel, hospitals, airports and lobbies with ease. Heavy durable steel base provides a very stable foundation. It holds flat screen size from 37" to 65"

Height Adjustable

Find a comfortable height whether for video conferencing or exhibitions by using the adjustable TV screen height function

Highly Mobile

Effortless Mobility from area to area with the heavy-duty full-swivel caster locking wheels. This cart holds up to maximum load of 45 kg

High Quality Durable Steel

Made of high grade durable steel with durable black powder coat finish

Cable Management

The built-in cable management system routes cables neatly, enhancing your the office decor

Component Shelf

Height adjustable component shelf and removable shelf for camera



SOLID STEEL CONSTRUCTION
SUPPORTS 45 KG



HEIGHT ADJUSTABLE
BETWEEN 1M AND 1.5M



TOP SHELF
HOLDS UP TO 10 LB (4.5 KG)

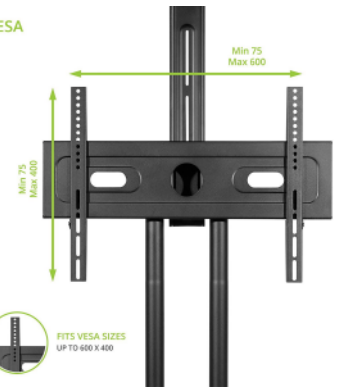


ADJUSTABLE DEVICE TRAY
HOLDS UP TO 10 LB (4.5 KG)

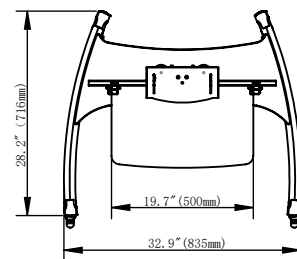
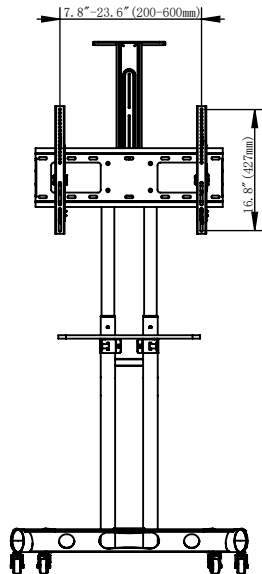
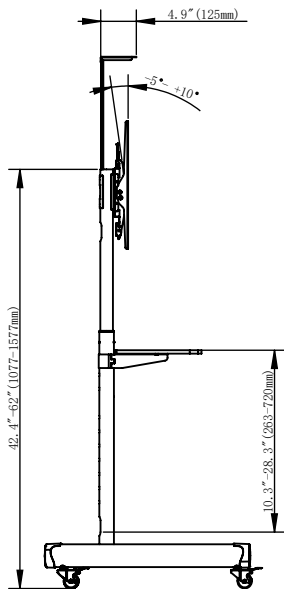


WHEEL LOCKS
CAN BE APPLIED AND RELEASED
WITH YOUR FOOT

VESA



FITS VESA SIZES
UP TO 600 X 400



Features:

- Four heavy-duty swivel caster locking wheels for easy gliding
- Compact and simple to travel with, easy to disassemble, support tubes slide down
- Built-in cable management system routes cables neatly
- Made of heavy durable steel with powder coated finish
- Component shelf for holding A/V equipment
- Overhead camera shelf for web conferencing
- Package includes :
Mounting accessories
User manual

Specifications :

- Fits most screen from 32"-65"
- Support up to 45kg
- Maximum display height 1600mm
- Bracket tilting angle : $\pm 15^\circ$
- Adjust TV screen height from 1200-1500mm
- Material high grade steel
- VESA compliant : 600x400mm
- Media Shelf : MDF board
- Camera : Metal
- Shelf capacity : 2.2 kg
- Colour: Powder coated black finish